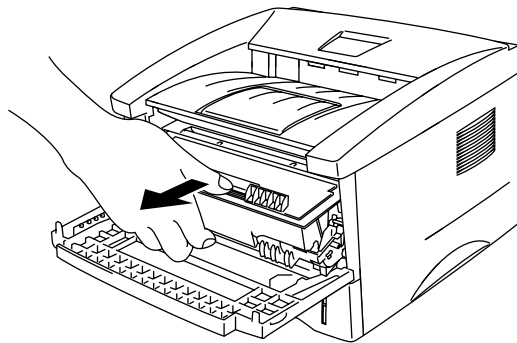


Note

Both **Alarm** and **Data** (Toner) LEDs will blink continuously to indicate that the toner is nearly empty. This blinking does not stop until you have installed a new toner cartridge.

The toner cartridge is replaced in the following way.

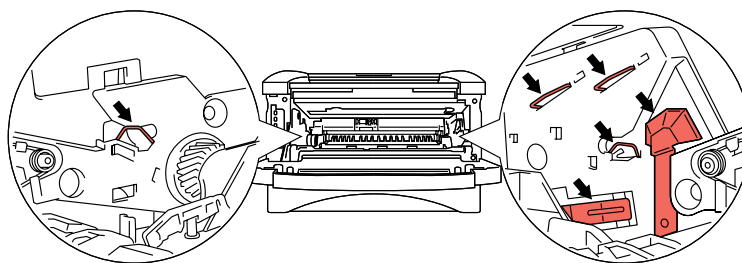
1. Open the front cover. Pull out the drum unit assembly.



Removing the drum Unit

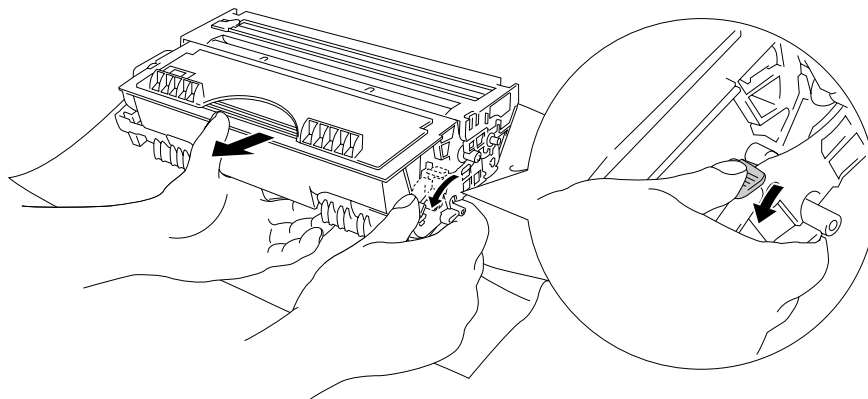
Caution

- It is recommended that you put the drum unit assembly on a piece of disposable paper or cloth in case of accidental toner spill or scatter.
- Do not touch the electrodes shown below to prevent damage to the printer caused by static electricity.



Electrodes

2. Place the drum unit assembly containing the old toner cartridge on a flat, horizontal surface, and pull the toner cartridge out of the drum unit assembly while pushing the lock lever down with your right hand.

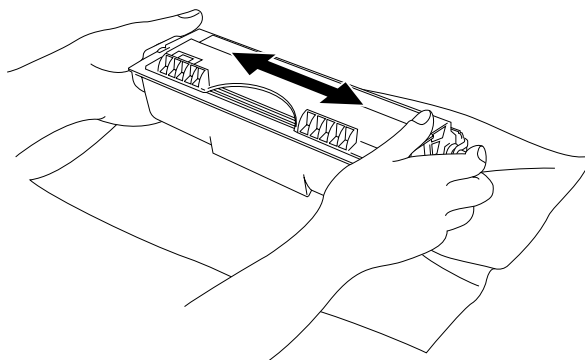


Removing the old toner cartridge

Caution

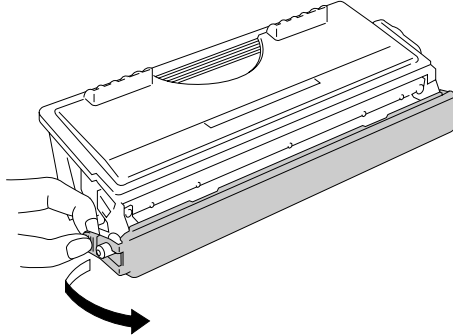
Handle the toner cartridge carefully. If toner scatters on your hands or clothes, wipe or wash it off with cold water immediately.

3. Unpack the new toner cartridge, gently rock it from side to side 5 or 6 times keeping it horizontal.



Rocking the toner cartridge

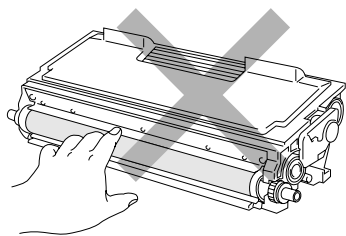
4. Remove the protective cover.



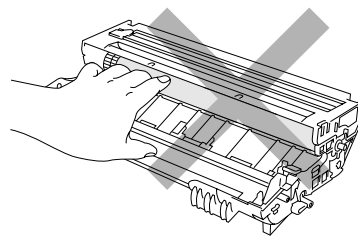
Remove the protective cover

! Caution

- Only unpack the toner cartridge immediately before you need to install it into the printer. If toner cartridges are left unpacked for a long period of time, the toner life is shortened.
- If an unpacked drum unit is subjected to excessive direct sunlight or room light, the unit may be damaged.
- Use a Brother genuine toner cartridge which is specially formulated to ensure top print quality.
- Printing with a 3rd party toner or 3rd party toner cartridge may reduce not only the printing quality but also the quality and life of the printer itself. It may also cause serious damage to the performance and life of a genuine Brother drum unit. Warranty coverage does not apply to problems caused by the use of 3rd party toner or 3rd party toner cartridges.
- Printing with a 3rd party drum unit or OPC drum may reduce not only the printing quality but also the quality and life of the printer itself. It may also cause serious damage to the performance and life of a genuine Brother drum unit. Warranty coverage does not apply to problems or damage caused by the use of a 3rd party drum unit or OPC drum.
- Install the toner cartridge immediately after you remove the protective part. Do not touch the shaded part shown below.

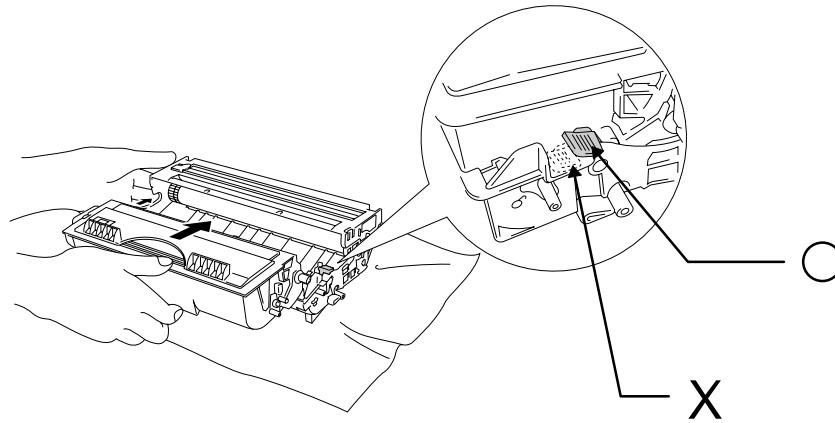


Developer roller



OPC drum

5. Install the new toner cartridge into the drum unit until it locks into place, indicated by a click. When the toner cartridge is installed correctly, the lock lever is lifted automatically.

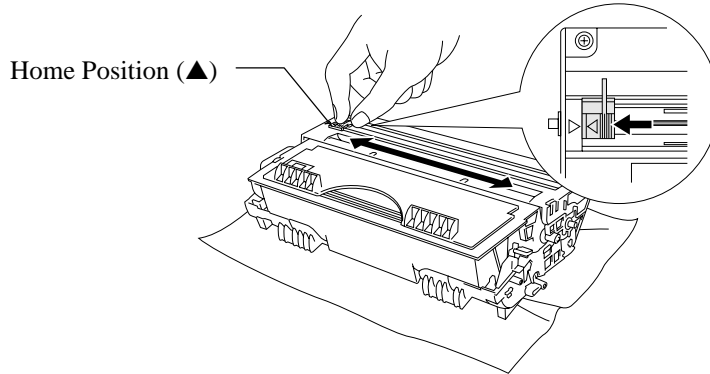


**Installing the toner cartridge
into the drum unit**

! Caution

Make sure that the toner cartridge is installed correctly, or the toner cartridge may separate from the drum unit when you hold the drum unit assembly.

6. Clean the primary corona wire inside the drum unit by gently sliding the blue tab to the right end and left end several times. Return the tab to the home position before reinstalling the drum unit assembly.

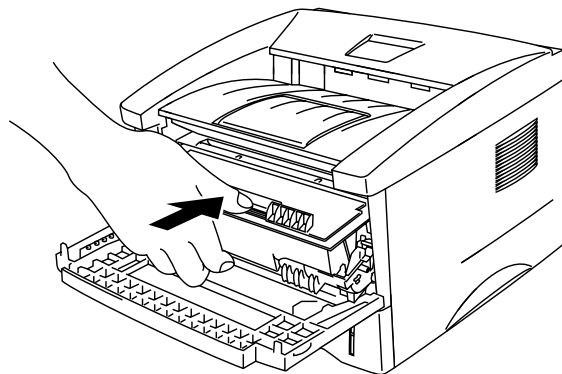


Cleaning the primary corona wire

! Caution

Make sure that you return the tab to the home position (▲ mark position) before reinstalling the drum unit assembly into the printer or printed pages may have vertical stripes.

7. Re-install the drum unit assembly into the printer and close the front cover.



Re-install the drum unit assembly